



Clip-Lok SimPak[®]

Flood guard equipment
Aquafence

Emergency equipment

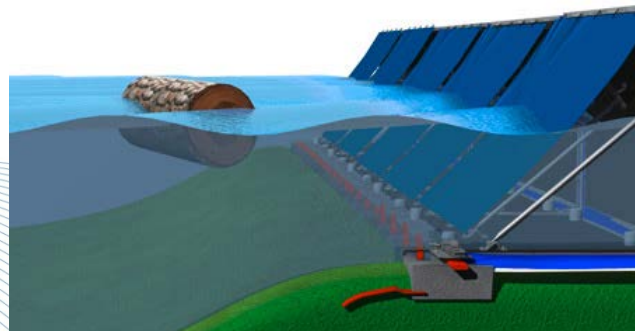
Background

- Aquafence asked us to help them develop a reusable packaging for their flood guard equipment.
- Aquafence is an OEM customer

Emergency equipment

Aquafence

- Headquarter in Norway
- Sales offices in Europe and USA
- Production in Lithuania
- Planning to set up production in USA and Thailand



Emergency equipment

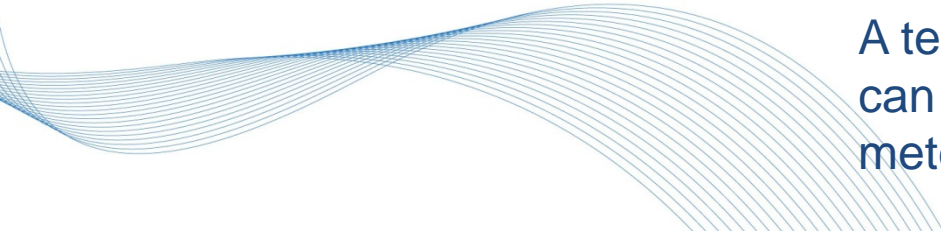
Product range

- V1200 – 1,2 m high – 2 m wide
- V1800 – 1,8 m high – 1,2 m wide
- V2100 – 2,1 m high – 1,2 m wide

- Weight: 80 kg per unit

Examples of protection

Schools
Landmarks
Food storage protection
Live stock
Homes
Buildings
Events
Towns
Building sites
Stadiums



A team of 10 people
can install about 100
meters per hour.



Emergency equipment

V1200



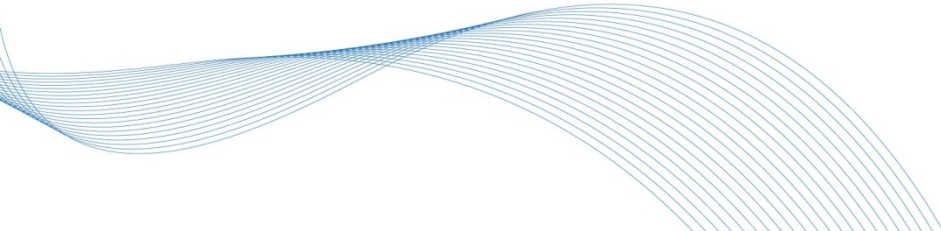
V2100



Emergency equipment

Packaging requirements

- One box to fit all models
 - Flat packable and reusable
 - Same box for delivery as for deployment
 - Optimised for container transport

 - Challenge
 - 3 different models with different shapes, but almost same dimensions
- 

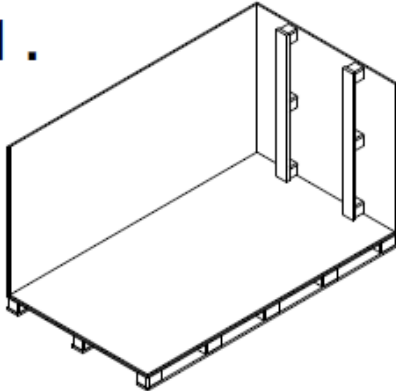
Emergency equipment

Solution

- MP box with dunnage
- Different dunnage for each type
- Same box dimensions for all types
- Flat packed and reusable
- 2250x1264x1276
 - 9 unites per box
 - 8 boxes per 20' container

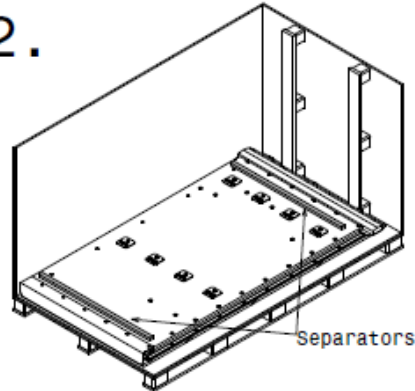
Emergency equipment

1.



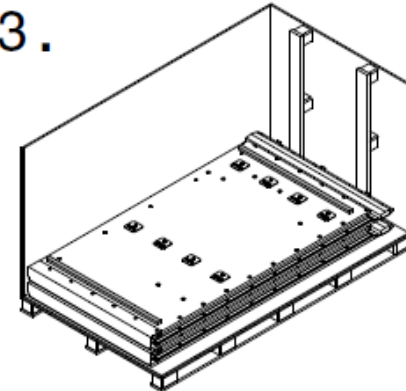
One side-panel and the end-panel with the "inside"-runners are mounted on the bottom.

2.



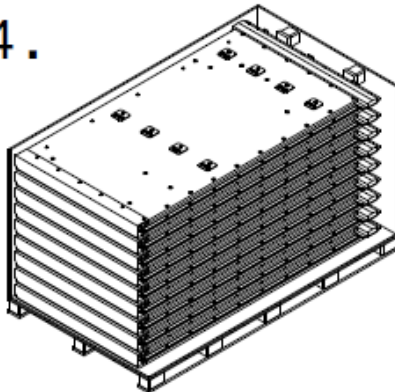
The first Fence is placed on the bottom with the membrane upwards and pushed against the "inside"-runners. Two separators are placed on top, one in each end.

3.



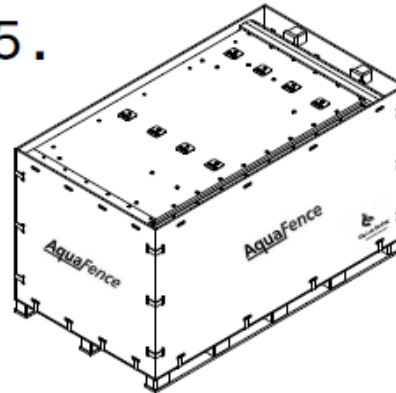
The next Fence is placed on top of the first with the same orientation and again with two separators on top.

4.



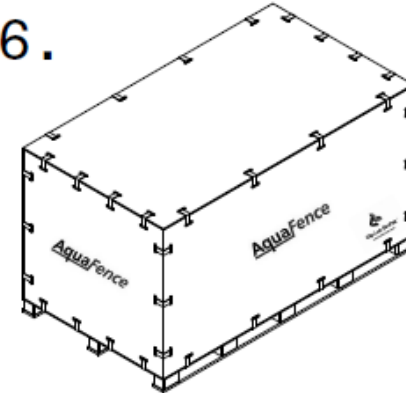
Step 3 is repeated until 9 Fences is placed in the box.

5.



The second side- and end-panel is mounted.

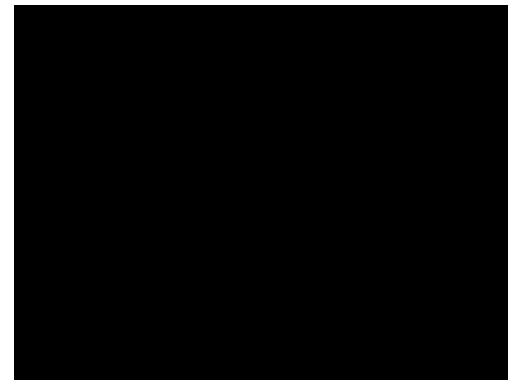
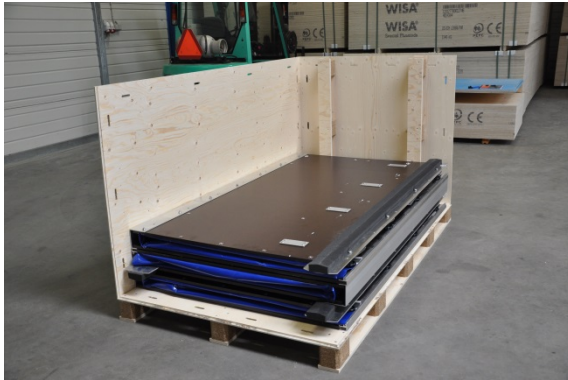
6.



The lid is mounted as the final step.

Emergency equipment

Packaging



Emergency equipment

Advantages

- Clip-Lok Box
 - 20 min to build and pack the boxes
 - Open 2 sides and lid to access the units
 - Strong
 - Reusable

Emergency equipment

Why is this segment interesting for Clip-Lok ?

- OEM customer
 - Every time they sell one unit → CL will sell one box
- Global warming
 - Governments will increase investments in emergency equipment
 - Cheaper to invest in protection than rebuilding/restoring.
 - Emergency Units

Emergency equipment

Potential

- Producers of similar flood guard equipment
 - 1.801 producers in the world
- Users of flood guard equipment
 - Emergency Units
 - Relief Organisations
 - Governments

Geografiske regioner

[Canada](#) (212)
[Danmark](#) (1)
[Forenede Arabiske Emirater](#) (2)
[Frankrig](#) (9)
[Grækenland](#) (1)
[Holland](#) (2)
[Hviderusland](#) (1)
[Indien](#) (8)
[Italien](#) (3)
[Japan](#) (1)
[Kina](#) (4)
[Kroatien](#) (1)
[Mexico](#) (2)
[Norge](#) (2)
[Polen](#) (19)
[Rumænien](#) (6)
[Rusland](#) (2)
[Schweiz](#) (5)
[Singapore](#) (1)
[Spanien](#) (13)
[Sri Lanka](#) (1)
[Storbritannien](#) (7)
[Sverige](#) (1)
[Taiwan](#) (1)
[Tjekkiet](#) (18)
[Tyskland](#) (9)
[USA](#) (1468)
[Ukraine](#) (1)

Defence contactors

Any questions ?

Thank for your attention!

